

# INSTALLATION

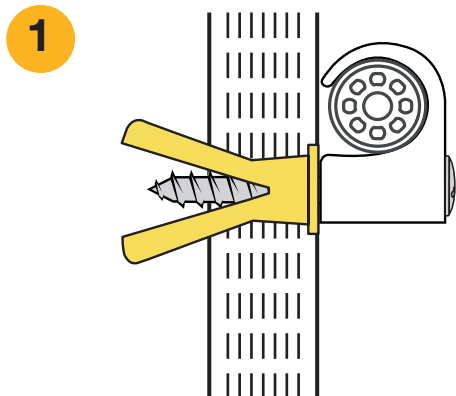
## CABLE/ PIPE CLIPS WITH SCREW

# tillex<sup>®</sup>

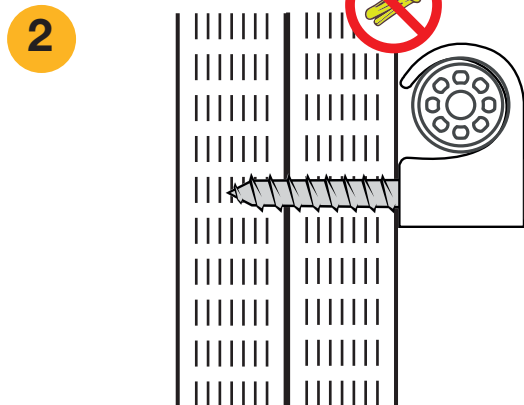
Plastmaterial: High impact elastic polypropylene – halogen free and UV-stabilized.  
Screw: Strong concrete screw, **Corrosion Class C4**, slots **PH2 & T20**  
Can be installed both indoors and outdoors.



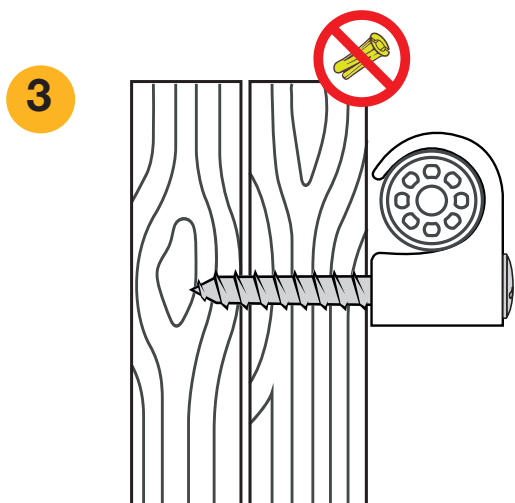
### INSTALLATION



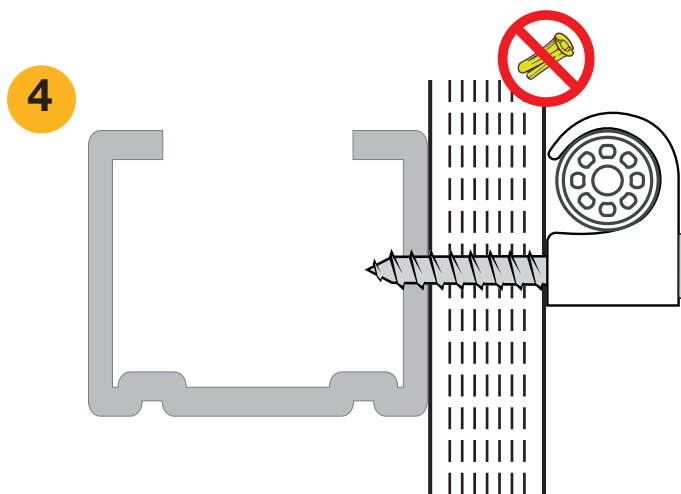
For 13 mm single-layer plasterboard: mount using yellow plug (KP yellow).



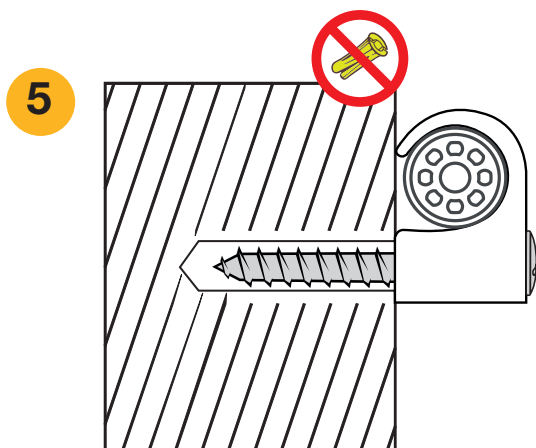
For double-layer plasterboard – no plug required. If screw “goes over”, mount using yellow plug (KP yellow) in the created hole.



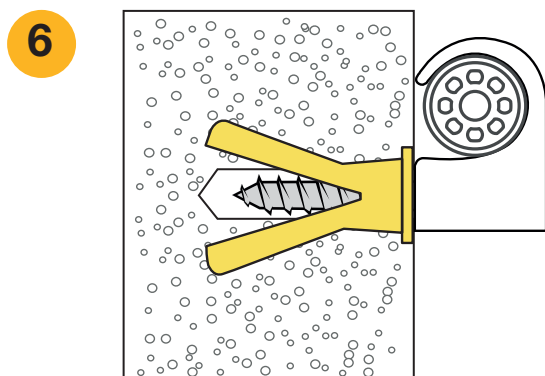
For wood, fibreboard and plywood: screw **directly** into material - no plug required.



For 13 mm single-layer plasterboard on metal profile – no plug required.



For concrete and tile: screw directly into 4 mm hole – no plug required.



For aerated concrete: mount using yellow plug (KP yellow). For densities above 600, screw directly into material.